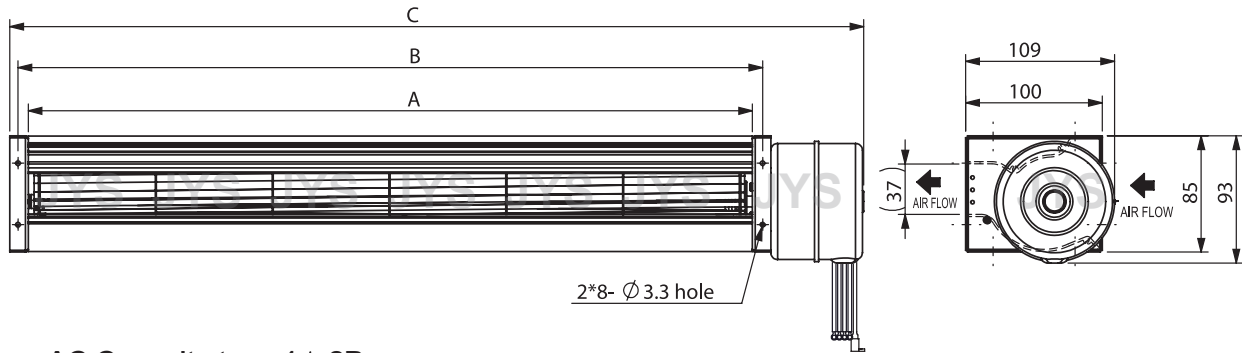




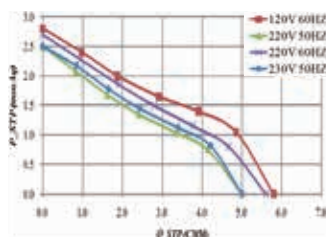
JMC-060A SERIES AC FAN



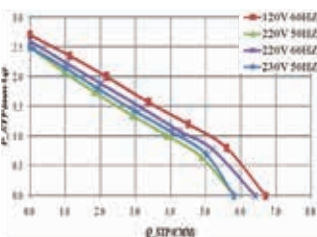
Motor : AC Capacity type 1 ϕ 2P

Model	Spec.	Size(mm)			Rated Voltage (V)	Rated Frequency (HZ)	Rated Current (A)	Input Power (W)	Speed (r.p.m.)	Max Pressure (mmAq)	Maximum Air Flow (m ³ /min)	Noise (dBA)	Weight (kg)
		A	B	C									
JMC-06042A1223-3B		430	445	525	120	60	0.30	34	3100	2.8	5.8	48	2.0
					220	50/60	0.16/0.17	29/34	2650/3000	2.5/2.7	5.0/5.6	44/47	
					230	50	0.17	31	2650	2.5	5.0	44	
JMC-06052A1223-3B		530	545	625	120	60	0.32	36	3000	2.7	6.7	48	2.1
					220	50/60	0.17/0.18	31/36	2600/2900	2.5/2.6	5.8/6.4	45/47	
					230	50	0.18	33	2600	2.5	5.8	45	
JMC-06060A1223-3B		610	625	705	120	60	0.34	38	2900	2.6	7.4	48	2.2
					220	50/60	0.17/0.19	32/37	2500/2750	2.4/2.5	6.4/7.0	45/47	
					230	50	0.18	34	2550	2.4	6.5	45	
JMC-06070A1223-3B		710	725	805	120	60	0.36	40	2800	2.6	8.4	49	2.3
					220	50/60	0.18/0.20	34/39	2400/2550	2.3/2.5	7.3/7.7	46/47	
					230	50	0.19	36	2450	2.4	7.4	46	

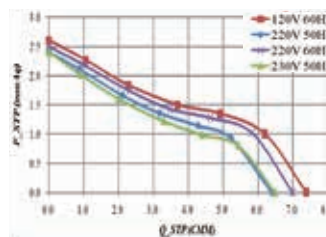
JMC-06042A1223-3B



JMC-06052A1223-3B



JMC-06060A1223-3B



JMC-06070A1223-3B

