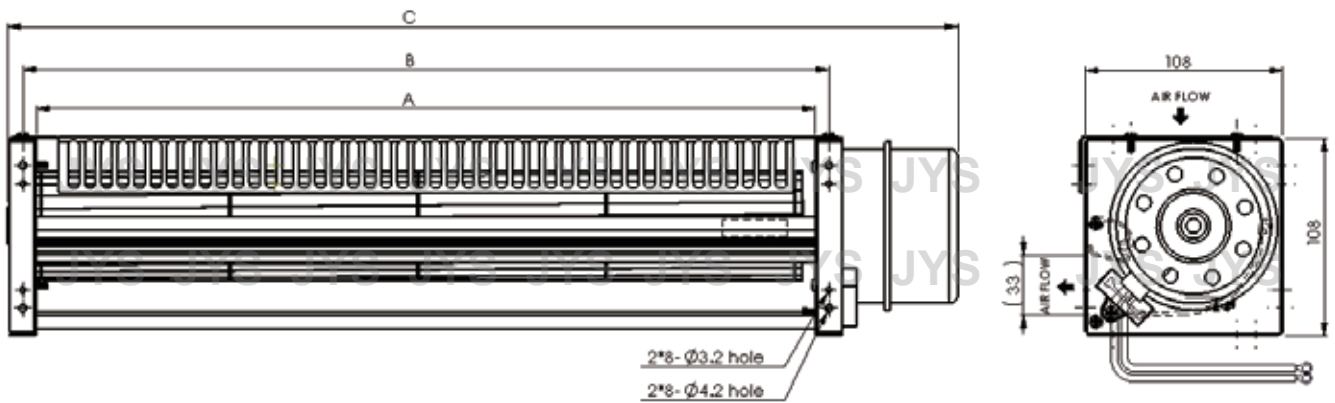
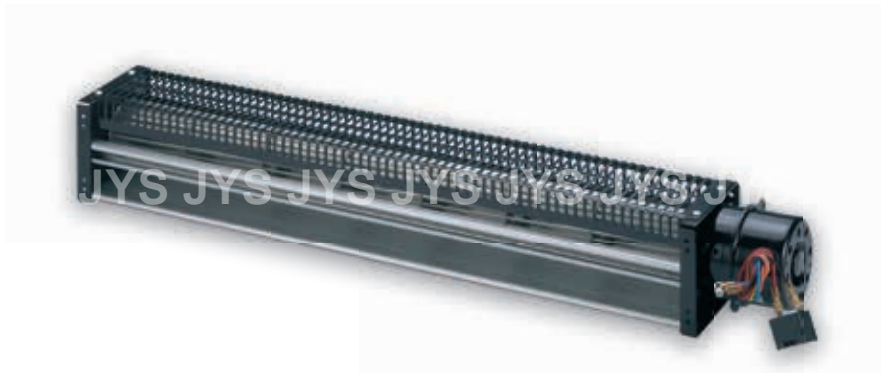


# JFC-060A SERIES AC FAN



Motor : AC Capacity type 1φ 4p

Model	Spec	Size(mm)			Rated Voltage (V)	Rated Frequency (Hz)	Rated Current (A)	Input Power (W)	Speed (r.p.m)	Max Pressure (mmAq)	Maximum Air Flow (m <sup>3</sup> /min)	CFM	Noise (dBA)	Safety Approval			Weight (kg)
		A	B	C										UL	TUV	CE	
JFC-06042A23		426	441	520	220	50/60	0.10/0.16	24/35	1400/1700	1.4/2.1	5/5.6	177/198	40/42			O	2.80
					230	50/60	0.11/0.16	26/38	1400/1700	1.5/2.2	5/5.6	177/198	40/42			O	
JFC-06042A1223L		426	441	511	120	60	0.26	28	1600	2.2	5.8	205	47				2.35
					220	50/60	0.13/0.14	23/26	1350/1550	1.5/2.1	4.9/5.4	173/191	42/45				
					230	50	0.14	24	1400	1.5	4.9	173	42				
JFC-06060A23		606	621	700	220	50/60	0.11/0.17	24/37	1400/1650	1.5/2.1	8/9	283/318	40/41			O	3.20
					230	50/60	0.11/0.17	26/40	1400/1650	1.5/1.8	8/9	283/318	40/41			O	

