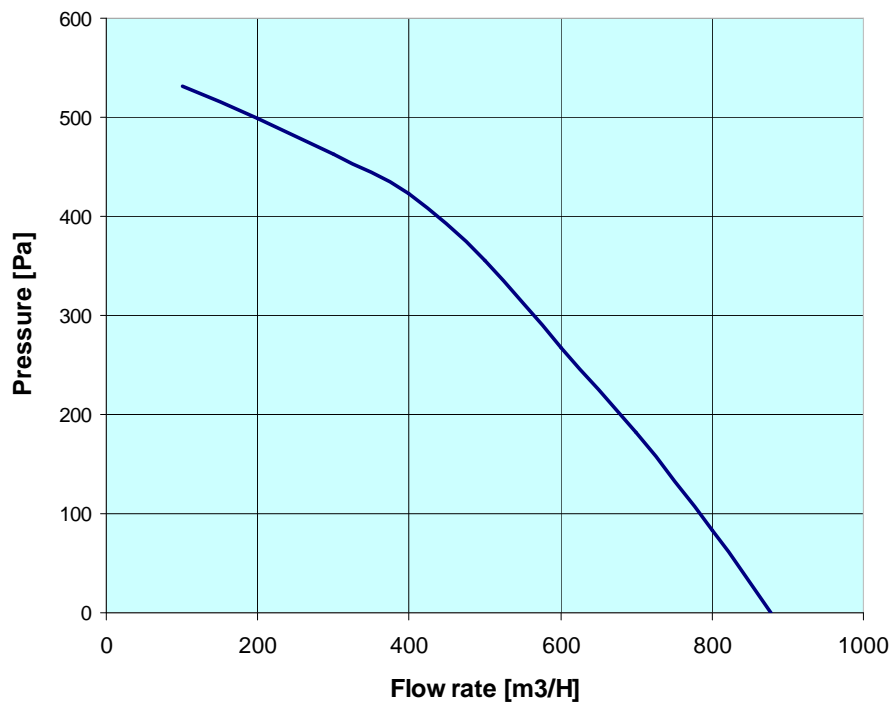


**code** 30.97295.03      **Project code** P8800      **Stack** M35      **Poles** 2  
**Voltage [V]** 220 - 240      **Frequency [Hz]** 50 - 60      **μ F** 4      **Vc** 450  
**W** 220      **A** 0.92      **Rpm** 2850      **class** B

## Fanmotor

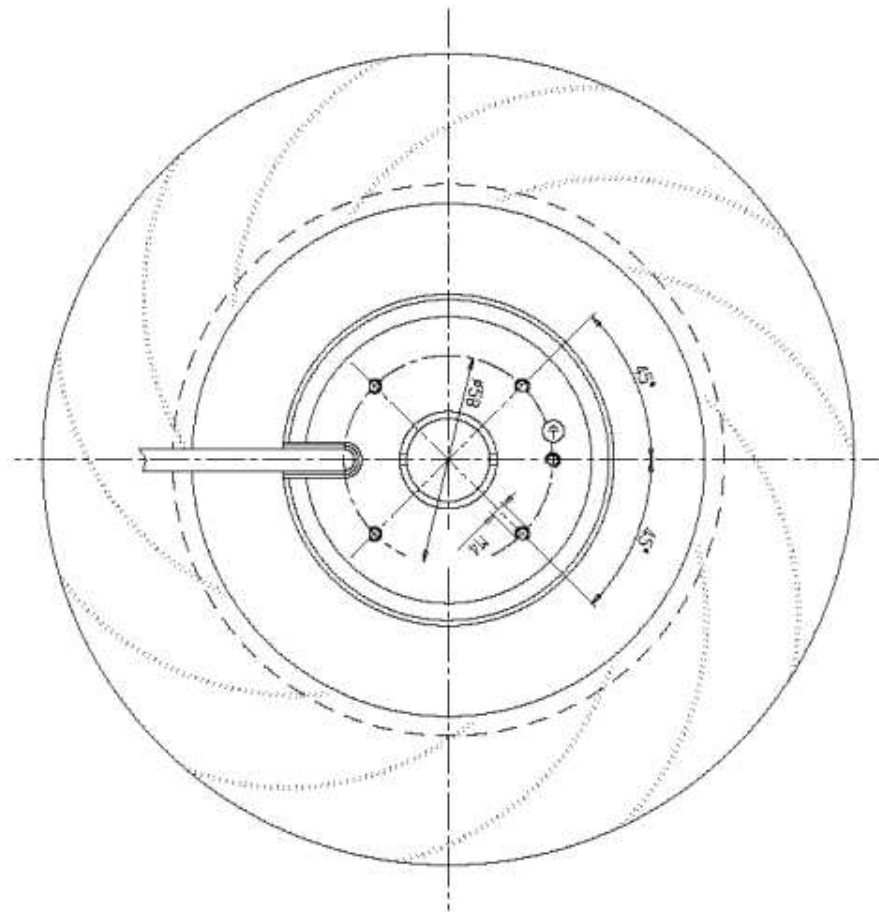
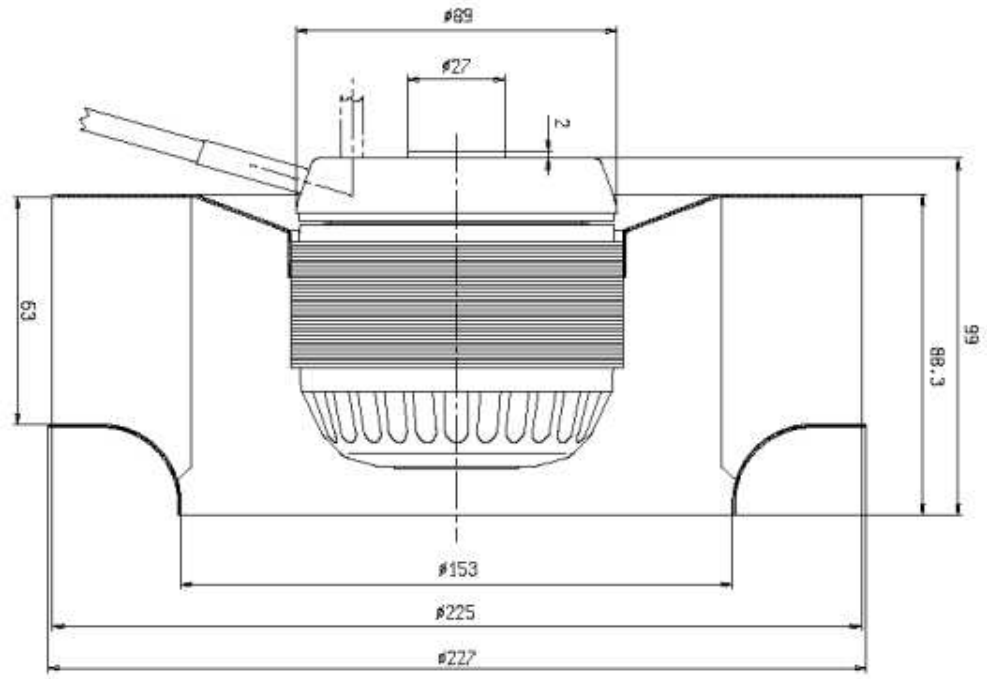
**Fan** 225 x 63      **Speed** 1      **Scroll** CK200A



	Flow rate [m3/H]	Pressure [Pa]	Rpm	Wl [w]	il [A]
<b>V</b> 220	100	531	2768	99,62	0,478
<b>Hz</b> 50	300	463	2642	122,7	0,577
	600	267	2530	144,2	0,672
	878	0	2562	138,3	0,644

V	Hz	μ F	Tested equipment	Δ Tm	Δ Ta	Rpm
---	----	-----	------------------	------	------	-----

Locked Rotor test				
V	Hz	μ F	W	A
220	50		282,85	1,331



code 30.97295.03

Project code P8800

Stack M35

Poles 2

Voltage [V] 220 - 240

Frequency [Hz] 50 - 60

$\mu$  F 4

Vc 450

W 220

A 0.92

Rpm 2850

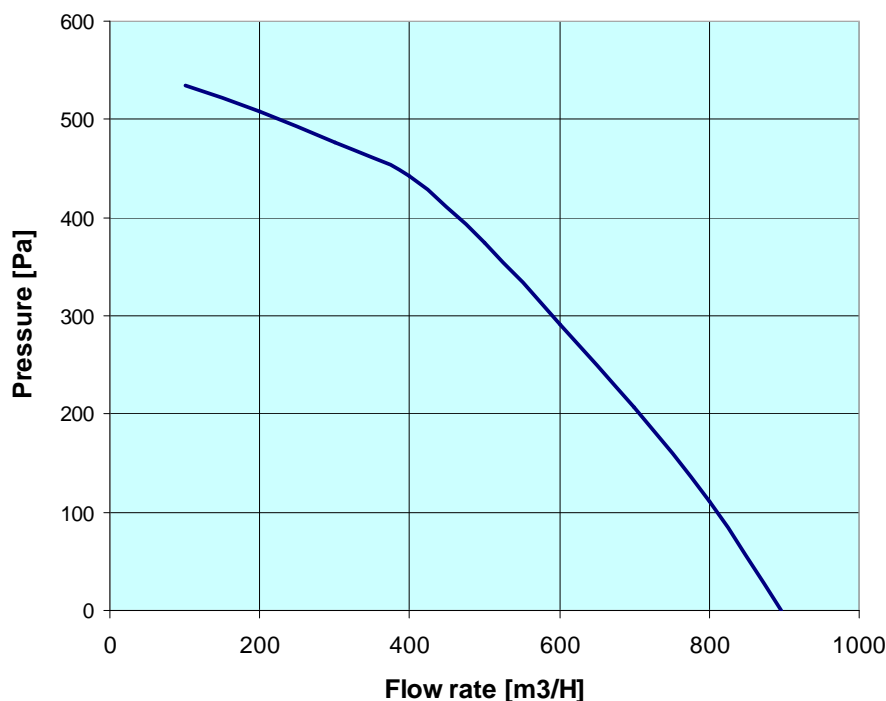
class B

## Fanmotor

Fan 225 x 63

Speed 1

Scroll CK200A

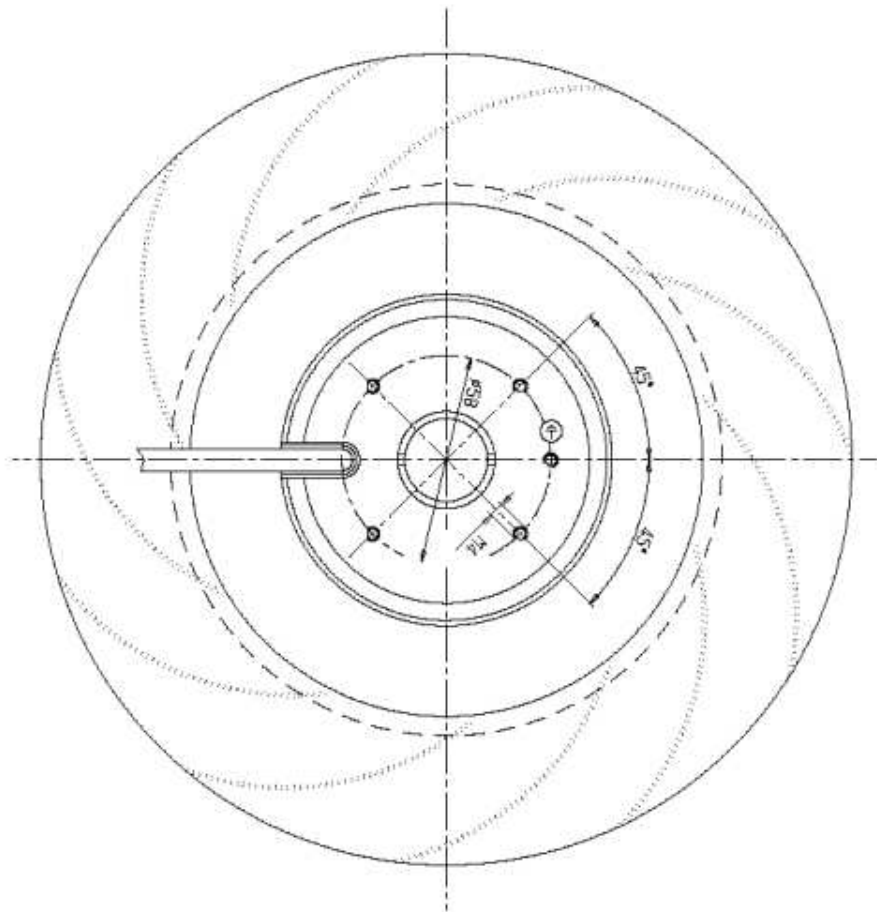
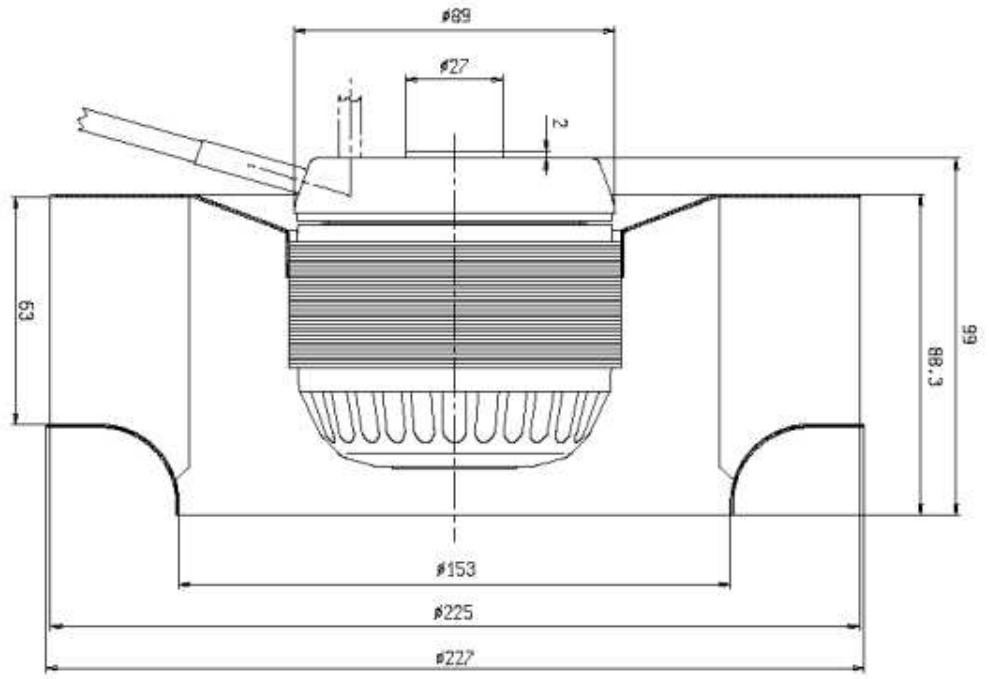


	Flow rate [m3/H]	Pressure [Pa]	Rpm	WI [w]	il [A]
<b>V</b> 240	100	535	2788	114,7	0,54
<b>Hz</b> 50	300	476	2693	137	0,61
	600	291	2598	158,5	0,69
	896	0	2625	152,5	0,666

V	Hz	$\mu$ F	Tested equipment	$\Delta$ Tm	$\Delta$ Ta	Rpm
254	50	4	Scroll f.a.	55	49	
254	50	4	Scroll p.c.	67,8	61,5	

### Locked Rotor test

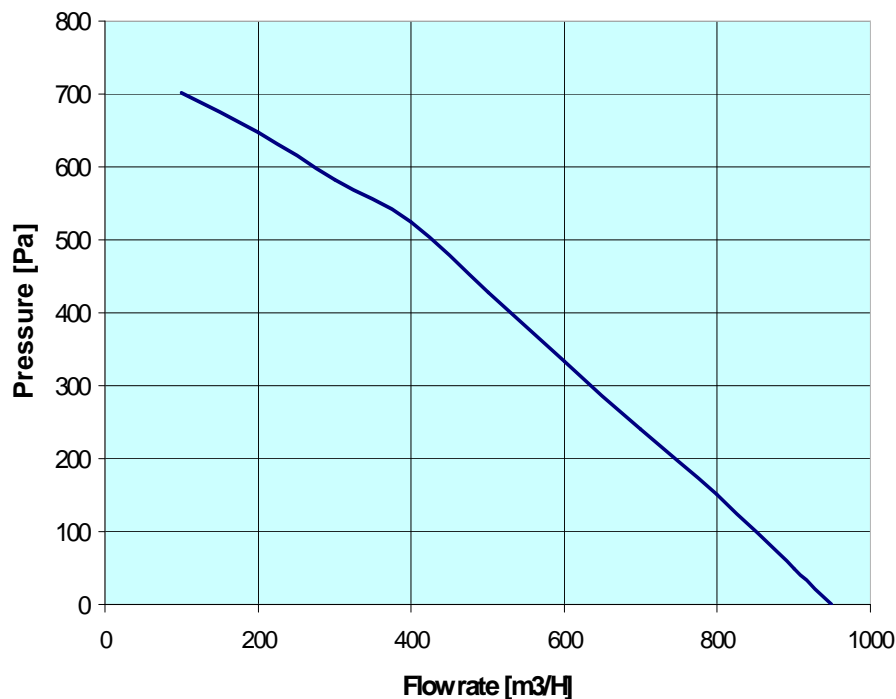
V	Hz	$\mu$ F	W	A
240	50	4	337,07	1,448



**code** 30.97295.03      **Project code** P8800      **Stack** M35      **Poles** 2  
**Voltage [V]** 220 - 240      **Frequency [Hz]** 50 - 60      **μ F** 4      **Vc** 450  
**W** 220      **A** 0.92      **Rpm** 2850      **class** B

## Fanmotor

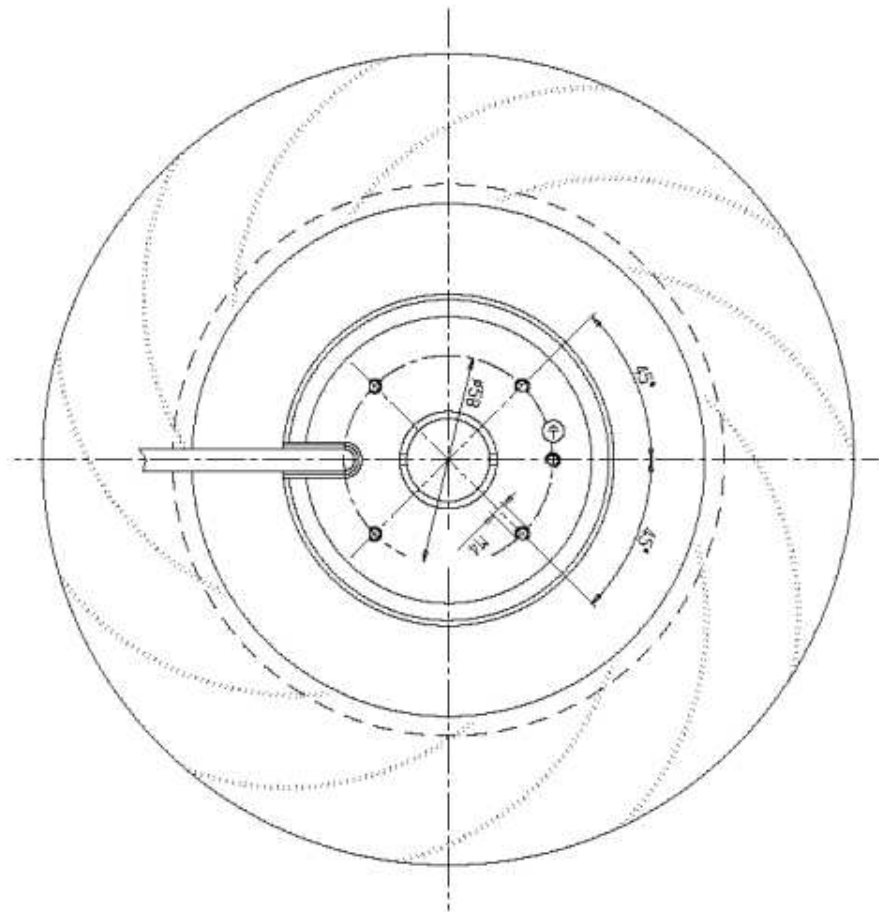
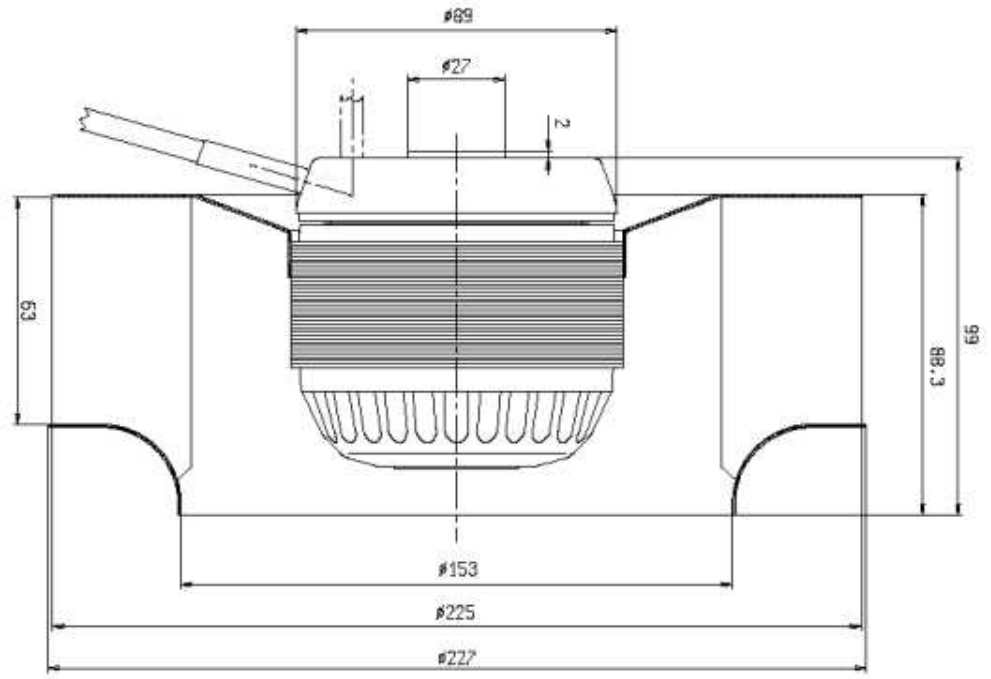
**Fan** 225 x 63      **Speed** 1      **Scroll** CK200A



	Flow rate [m3/H]	Pressure [Pa]	Rpm	WI [w]	il [A]
<b>V</b> 220	100	702	3179	140,8	0,654
<b>Hz</b> 60	300	582	2950	170,9	0,786
	700	241	2677	199,7	0,912
	949	0	2764	194,4	0,885

V	Hz	μ F	Tested equipment	Δ Tm	Δ Ta	Rpm
---	----	-----	------------------	------	------	-----

Locked Rotor test				
V	Hz	μ F	W	A
220	60		268,19	1,255



code 30.97295.03

Project code P8800

Stack M35

Poles 2

Voltage [V] 220 - 240

Frequency [Hz] 50 - 60

$\mu$  F 4

Vc 450

W 220

A 0.92

Rpm 2850

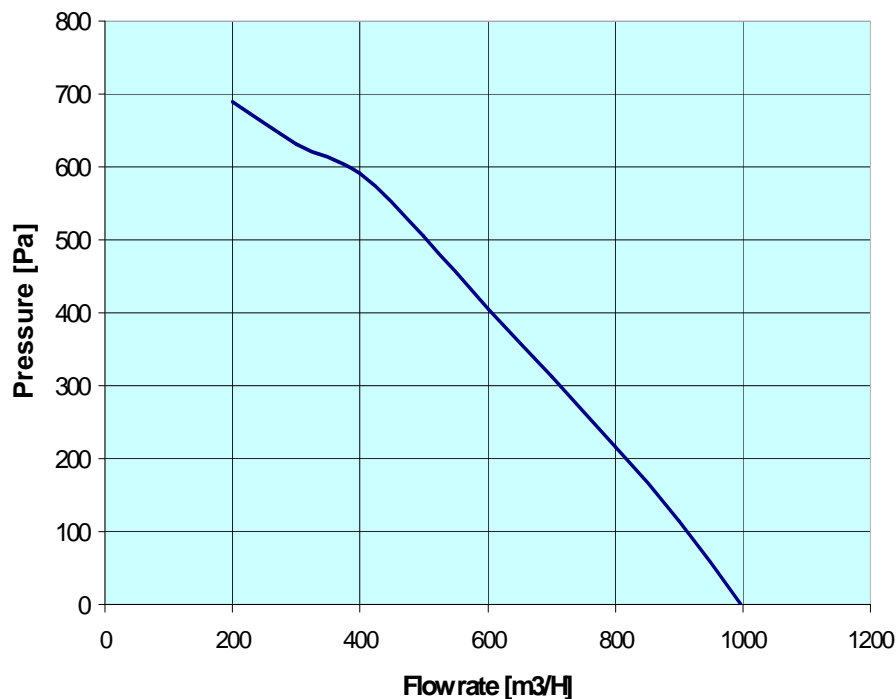
class B

## Fanmotor

Fan 225 x 63

Speed 1

Scroll CK200A



	Flow rate [m3/H]	Pressure [Pa]	Rpm	WI [w]	il [A]
V 240	100	727	3240	152,8	0,65
Hz 60	300	632	3069	182,8	0,774
	700	313	2828	219,4	0,92
	997	0	2897	211,5	0,885

V	Hz	$\mu$ F	Tested equipment	$\Delta$ Tm	$\Delta$ Ta	Rpm
254	60	4	Scroll f.a.	48,3	47,7	
254	60	4	Scroll p.c.	42,8	49,9	

### Locked Rotor test

V	Hz	$\mu$ F	W	A
240	60	4	318,02	1,37

